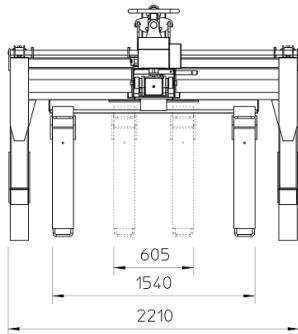
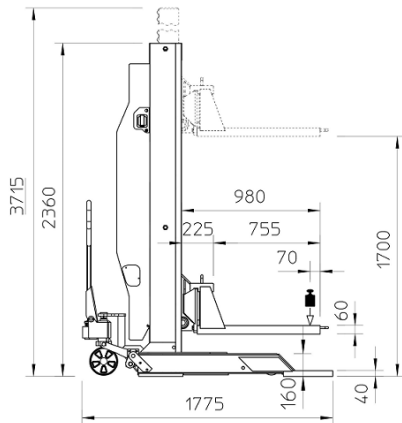




»» Mobile Column Lift for Fork Lifts
GAB® 705 DC - wireless



- + Mobile and universal use.
- + Load support by adjustable fork tines; free access to wheels of forklift.
- + Battery-powered and radio-controlled, for flexible use independent from power supply.
- + EasyCharge: simple and quick charging via one 230 V supply



Mobile column GAB705 DC - wireless:

Capacity: 5000 kg
 Load support: Adjustable fork tines to lift at chassis and at lift pillar.
 Length of tines: 755 mm, support height 80 mm
 Lifting stroke: 1700 mm (effective)
 Lifting/lowering time: Approx. 90 sec.
 Drive: Electro-hydraulic
 Power supply: Batteries, 24 V, 80 Ah
 Charging of batteries: Connection 230 VAC, 50/60 Hz, 2,5 A, 1 charging cable at column
 Colour: Orange RAL2004



Finkbeiner

Walter Finkbeiner GmbH
 Alte Poststrasse 9 · 72250 Freudenstadt · Germany
 Tel +49(0)7441-4031 · Fax +49(0)7441-87778
 info@finkbeiner.eu · www.finkbeiner.eu

The Finkbeiner company is certified by

