

HB6 HALO BLITZ

6LED WARNING LAMP W/ HALO-RING (Surface Mount)

12~24VDC



FEATURES

- 6LED high-performance warning lamp with special outer Halo-Ring.
- Independent controlled, multi-purposed outer Halo-Ring as a Clearance Lamp, an Identification Lamp, a Position Lamp, or a Side Marker Lamp.
- SAE and ECE R65 certified high power warning output.
- ECE R10 EMC Compliance.
- Long life LEDs rated to 100,000 hours of operation.
- Multi-units synchronization in simultaneous or alternating flash.
- Reverse polarity protection.
- Fully Weatherproof and vibration resistant design for external and internal use.
- Aluminum base for efficient heat dissipation and maximum durability.

SPECIFICATIONS

Approval: SAE J595 Class1 (A/B/R/W); SAE J592 (A/R); SAE J2042 (A/R); CA Title13 (A/B/R); ECE R7 (R/W); ECE R10; ECE R65 (XA1, XB1); ECE R91 (A); IPx8

Warning LED: High-power LED x 6 pcs

Halo-Ring LED: Long-life LED x 18 pcs

Warning Patterns: 14 Flash Patterns

Operating Voltage: 12~24VDC

Avg. Current: 0.675A @12VDC / 0.375A @24VDC (varies by flash pattern)

Avg. Power: 9 Watts (varies by flash pattern)

Max. Current: 1.35A @12VDC / 0.75A @24VDC

Max. Power: 18 Watts

Wires: Red-Vcc : 25cm (20AWG)
Black-GND : 25cm (20AWG)
White-Vcc : 25cm (20AWG)
Yellow-Sync & Functions : 25cm (20AWG)

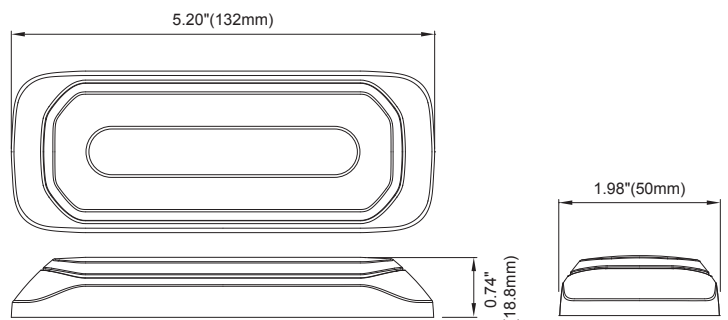
Fuse Recommended: 2A

Lens Colour: Clear

Available Warning Colour: RED , BLUE , AMBER , WHITE

Available Halo-Ring Colour: RED , BLUE , AMBER , WHITE

DIMENSIONS



FLASH PATTERN

Warning Flash Patterns			
1	Double [R65]	8	Quad [SAE]
2	Single [2Hz]	9	Quint [SAE]
3	Triple [2Hz]	10	Mega
4	Quad [2Hz]	11	Ultra [SAE]
5	Random	12	Single-Quad
6	Single [SAE/CA13]	13	Single H/L
7	Double [SAE]	14	Steady

PART NO.

- M069-103XY-00R (SAE, Black Flange)
- M069-203XY-00R (R65, Black Flange)
- M069-303XY-00R (R10, Black Flange)

Replace X for Warning LED Colour:

C = Amber; B = Blue; R = Red; W = White

Replace Y for Halo-Ring LED Colour:

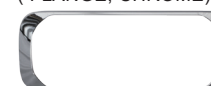
C = Amber; B = Blue; R = Red; W = White

OPTIONAL FLANGE KIT

99-M069X00-000
(FLANGE, BLACK)



99-M069X01-000
(FLANGE, CHROME)



99-M069X02-000
(FLANGE, WHITE)

