

GuI=JU-FAL03-A

Blå=JU-FAL03-B

FAL03 All In One FIT-A-LIGHT 3-LED System



FEATURES

- 0.67" (17mm) Super low-profile thickness.
- Internal installation in vehicle lamp with 1" cut-out.
- External surface mount on vehicle body with flange.
- Snap-on mounting flange design with slick aesthetic.
- Meets SAE class 1 regardless of mounting orientation.
- No external flasher for easy and versatile installation.
- Built-in 12 selectable Flash Patterns.
- Multi-Voltage Input 12~24VDC.
- Multi-units synchronization in simultaneous or alternating flash.
- Reverse polarity protection.
- ECE R10 EMC Compliance.

SPECIFICATIONS

Meets: SAE J595 Class 1 (R,A,B,W); CA13 Class B (R,B); ECE R10; IPX7

Bulb: High-power LED x 3pcs

Warning Patterns: 12 Flash Patterns

Operating Voltage: 12~24VDC

Avg. Current: 0.24A @12VDC / 0.12A @24VDC (varies with flash pattern)

Avg. Power: 2.82 Watts (varies with flash pattern)

Max. Current: 0.47A @12VDC / 0.24A @24VDC

Max. Power: 5.65 Watts

Wires: Red-Vcc : 20cm (24AWG)

Black-GND : 20cm (24AWG)

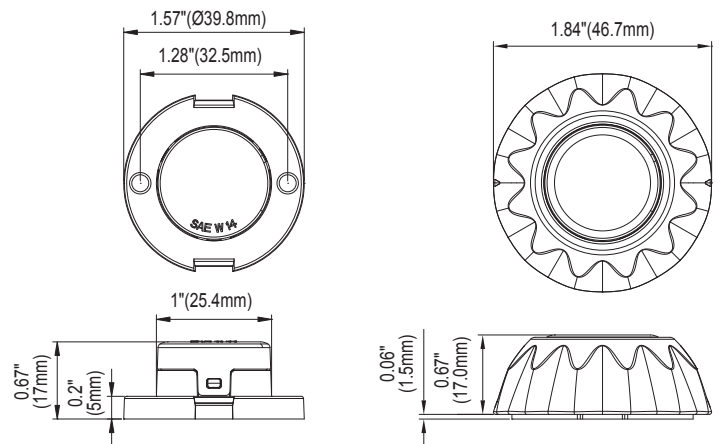
Yellow-Flash Patterns & Sync : 20cm (24AWG)

Fuse Recommended: 1A

Multi-Unit Synchronization: Over 15 units

Available in: RED, BLUE, AMBER, WHITE

DIMENSIONS



PART NO.

- M53-0013A-00R (AMBER)
- M53-0013B-00R (BLUE)
- M53-0013R-00R (RED)
- M53-0013W-00R (WHITE)

FLASH PATTERN

FP#	Flash Patterns	
1	Random	7 Quad [SAE]
2	Steady	8 Quint [SAE]
3	Single [SAE, CA13]	9 Ultra [SAE]
4	Mega	10 Single-Quad
5	Double [SAE]	11 Single H/L
6	Triple [SAE]	12 Single-Triple-Quint

Mounting Brackets

- 99.M53M0.000 (L-BRACKET)
- 99.M53X0.000 (FLANGE, CHROME)
- 99.M53X1.000 (FLANGE, BLACK)
- 99.M53X2.000 (FLANGE, WHITE)

