

# Mini Stealth

12-LED LIGHT HEAD (Surface Mount)

R65

SAE

## Premium Output

for enhanced safety

M35-0113A-00



## Super Compact

for professional look



## Extra Flashing Options

for effective warning



Up - Down



Criss - Cross



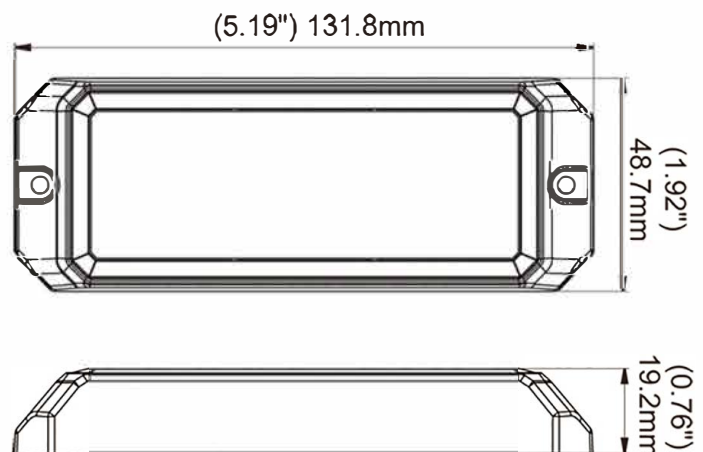
Left - Right



## FEATURES

- Multi-Voltage Input 12~24VDC.
- Built-in 25 selectable flash patterns.
- With Low Power Dimming option.
- LEDs rated to 100,000 hours of operation.
- Multiple units are synchronizable and can flash simultaneously or alternately.
- Reverse polarity protection.
- Aluminum base for heat dissipation.

LED COLOR:



JU-MS26S-A

Planmonteret supplerende LED blink, gul, R65, 12/24v, M35-0123A-00

FDPparts

Fartskriver Danmark A/S

