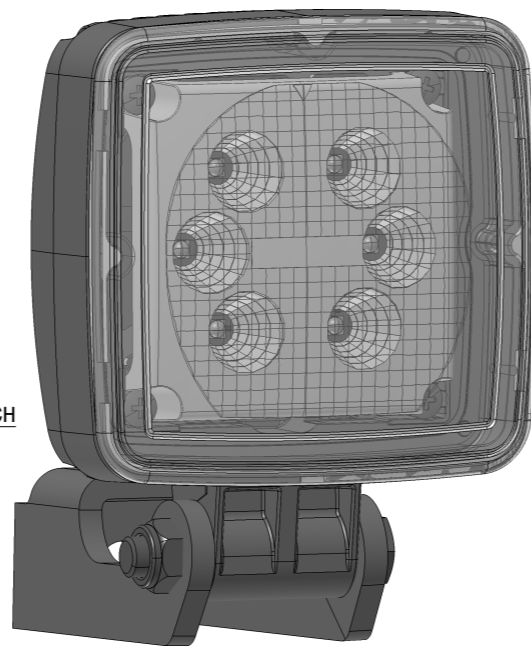
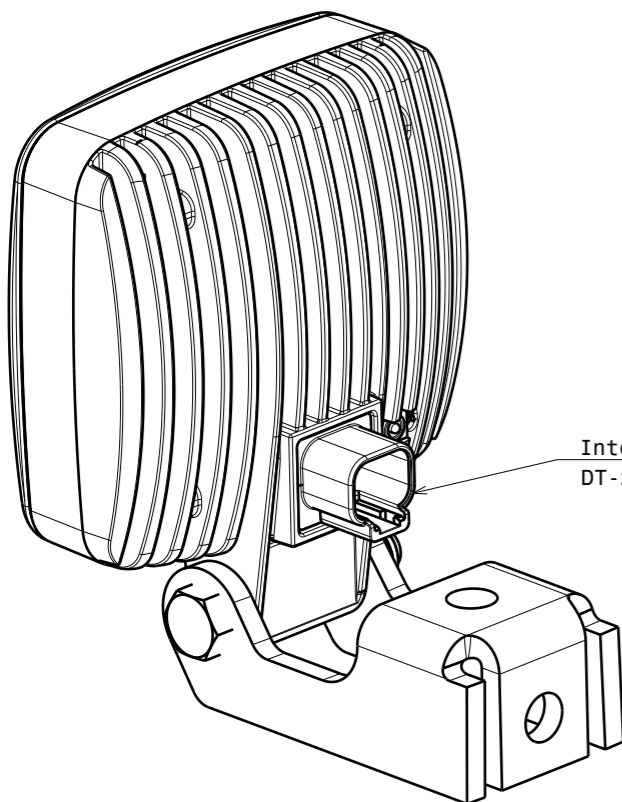
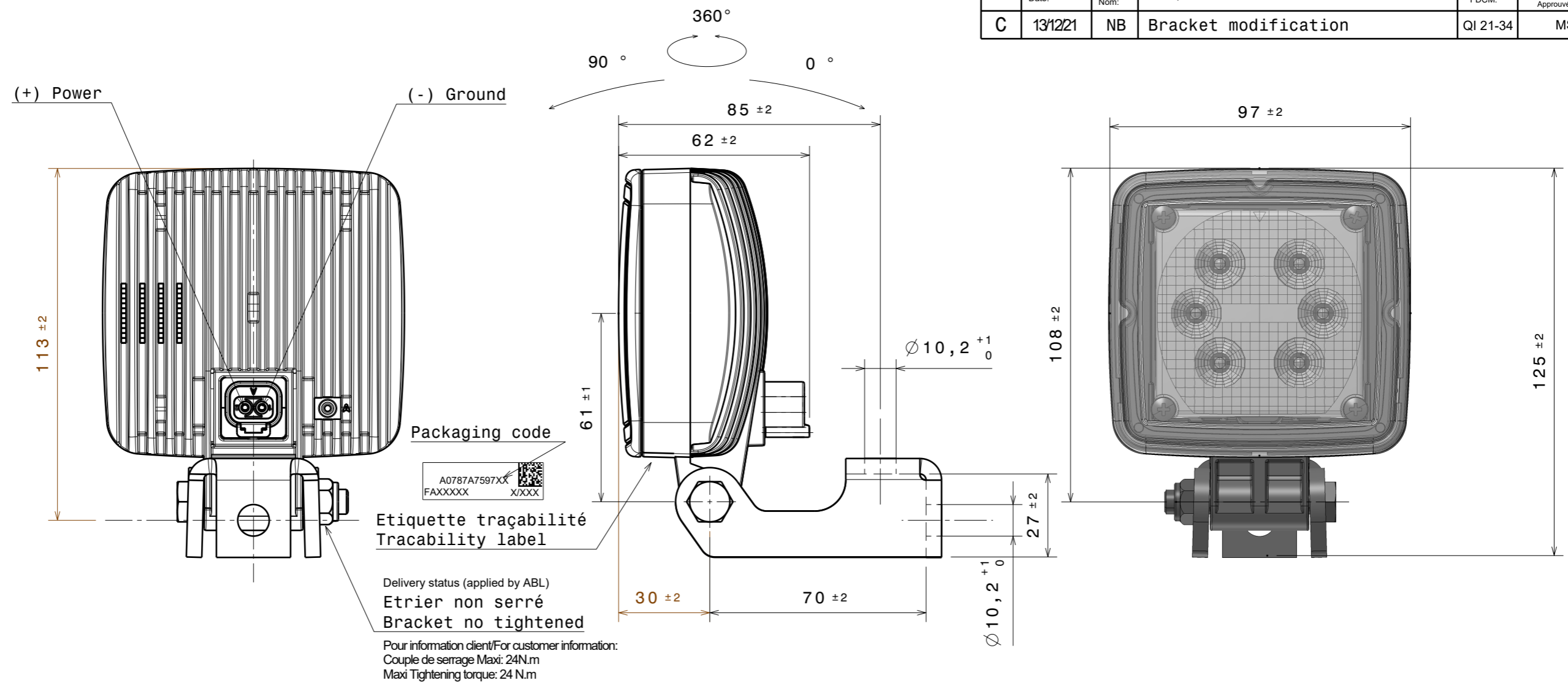



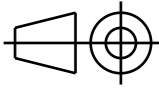
Rev/nd	Date:	Name/ Nom:	Description:	FDCM:	Approved by/ Approuvé par:
C	13/12/21	NB	Bracket modification	QI 21-34	MS



Corps : Aluminium noir  
Glace: Glace striée plastique  
Support: Acier traité noir  
Connexion: Deutsch DT2  
Emballage: Selon variantes

Housing: Black Aluminium  
Lens: Active plastic lens  
Mounting: Black treatment steel  
Connection: Deutsch DT 2 ways  
Packaging: According to version code

Part number last 2 digits for packaging information :  
Bulk with spacer ( S ) or without ( B )  
Individual box neutral ( N ), ABL ( A ), Custom ( C )

Description:				Size/format:	
SLA 2000 LED C Flood DT 12V-24V				A3	
				CATIA V5	
Drawn/Dessiné par:	Date:	Weight/masse:	(F)Critical dimensions (F)Cotes critiques	Scale/Ech:	
NB	01/12/21	0.700 Kg	Al dimensions in millimeters Toutes dimensions en millimètres	/	
			VIGNAL ABL		
			Drawing number/Référence: A0787A759700		
This drawing is our property; it can't be reproduced or communicated without our written agreement.				Rev/ind: C	