

DIRECTIONALS



ED3300 SERIES SAE Class I LED Safety Director™

The ED3300 LED Safety Director™ is a high-intensity warning system designed to direct traffic approaching from the rear of a stationary vehicle. The light-stick design allows for unobtrusive interior or exterior mounting, either flush to the vehicle or using the provided mounting brackets. Inside the cab a modern, soft touch controller provides fingertip control of the ED3300's nine built-in flash patterns, features an LED display that mimics the selected pattern in real time and also includes an auxiliary switch. 20A auxiliary relay included.

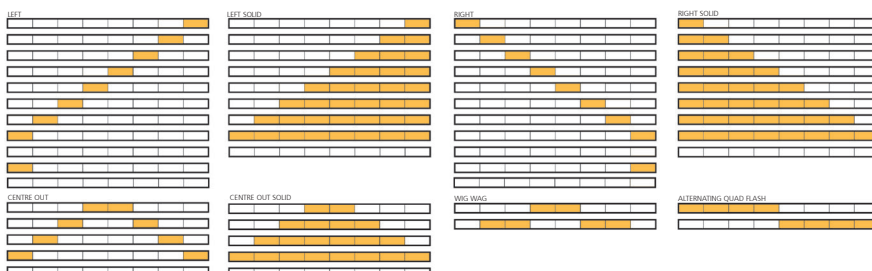
Models

PART NO.	VOLTAGE	MAX AMPS	CABLE LENGTH
ED3315A	12-24	2.4	15'
ED3335A	12-24	2.4	35'
ED3355A	12-24	2.4	55'

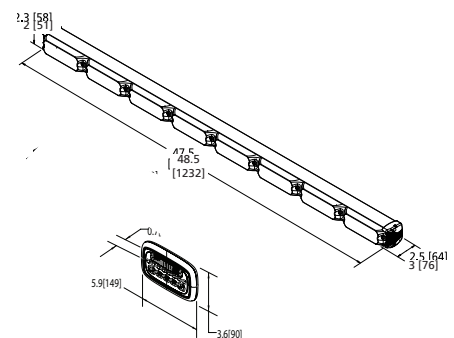
Features and Benefits

- Extruded aluminium housing with polycarbonate lens
- Eight reflective modules with 20 LEDs
- SAE J595 Class I, R10
- Operating temp: -30°C to +50°C

Flash Patterns



Dimensions



System Components

- Controller: 3410CB
- Signal bar: ED3300LBA
- Cable: 15' 3410-15
35' 3410-35
55' 3410-55

Replacement Parts

- Amber Module: ER3300A
- Blue Module: ER3300B
- Clear Module: ER3300C
- Red Module: ER3300R