

PART NO.

▼ Single Color

Clear Lens

- **02180175** (Amber)
- **02180182** (Blue)
- **02180199** (Red)
- **02180250** (White)*

ECE R10 & ECE R65 Class 2
 * Non-compliance with ECE R65

Tinted Lens

- **02180267** (ECE R10 & R65 Class 1, Amber)
- **02180274** (ECE R10 & R65 Class 1, Blue)

▼ Dual Color

- **02180236** (Amber/White)
- **02180205** (Amber/Blue)
- **02180243** (Blue/White)
- **02180212** (Blue/Red)

- **M077-x013y-000**

Replace **x** for Compliance:

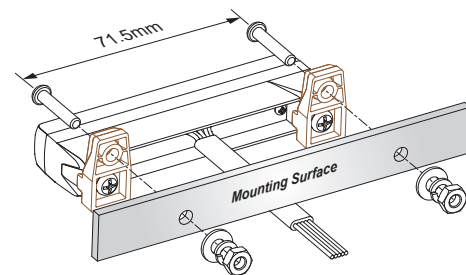
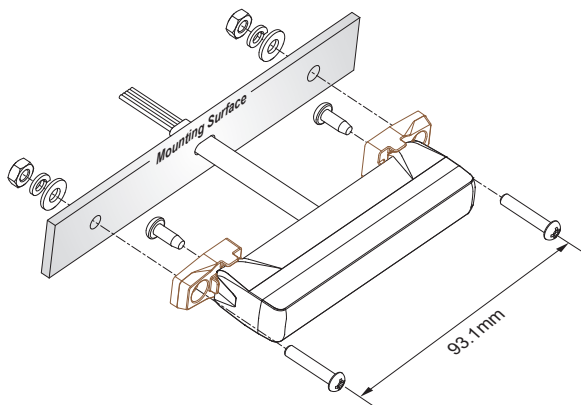
- 1 = SAE
- 2 = ECE R65 Class 1

Replace **y** for colour:

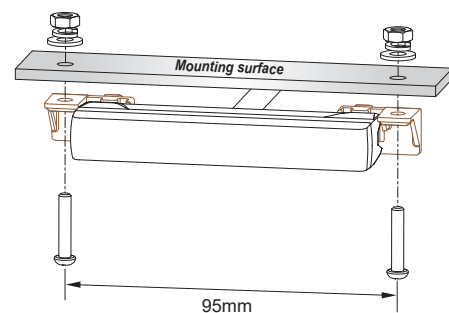
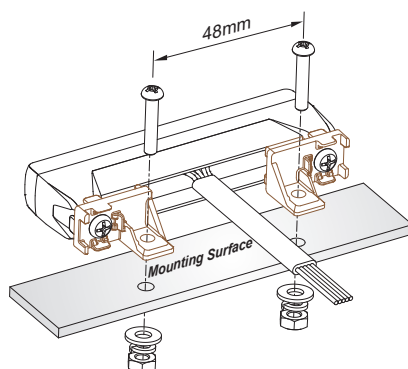
- J = Amber/Red
- U = Red/White
- M = Amber/Green *

INCLUDED MOUNTING BRACKETS

Universal Bracket (Multi-Angle)



L-Bracket (Front/Rear)



OPTIONAL ACCESSORY

ADJUSTABLE BRACKET (02180229)

