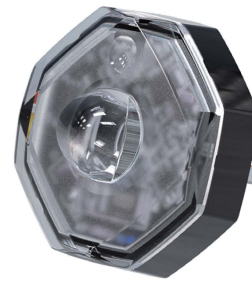
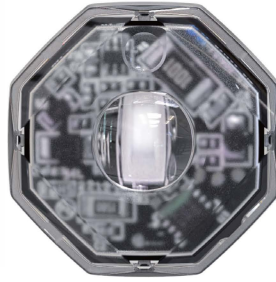


OF01

Octa-Fit Lighthouse



12~24VDC

KVALITET
SERVICE
& VIDEN

FEATURES

- 4 units offer a directional warning approved to ECE R65 Class 1 Category X (XA1, XB1, XR1). **NEW!**
- Small-size lighthouse for installations on side mirrors, tailgate, trunk lids, or door panels. Perfect product for unmarked/undercover vehicles to accommodate various mounting applications.
- "OFF Override" wire allows turn signal to override warning.
- Self-contained flasher; no external flasher required.
- Multi-Voltage Input 12~24VDC.
- Multi-units synchronization in simultaneous or alternating flash.
- Reverse polarity protection.

SPECIFICATIONS

Compliance: ECE R65 (XA1, XB1, XR1); ECE R10

IP Rating: IP67, IP69K

LED Element: High-power LED x 1 pc

No. of Warning Pattern: 9

Operating Voltage: 12~24VDC

Avg. Current: 0.5A @12VDC / 0.25A @24VDC
(varies with flash pattern)

Max. Current: 1A @12VDC / 0.5A @24VDC

Avg. Power: 1.65 Watts (varies with flash pattern)

Max. Power: 3.3 Watts

Wire: Red-Vcc: 24AWG

Black-GND: 24AWG

White- Disable Warning: 24AWG

Yellow-Flash Patterns & Sync: 24AWG

Wire Length: 55cm

Fuse Rating: 2A

Synchronization: 20 Units

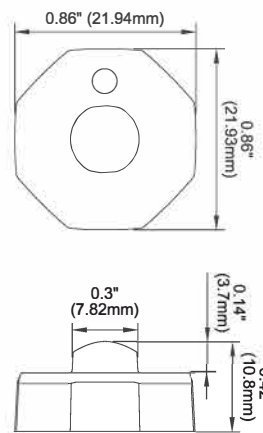
LED Colour: Red, Blue, Amber, White

Lens Colour: Clear

Storage Temp.: -40°C to +75°C

Operating Temp.: -40°C to +65°C

DIMENSIONS



FLASH PATTERN

FLASH PATTERNS				
1	Double	[R65]*	6	Steady EF**
2	Single	[2Hz]	7	Single-Quad
3	Triple	[2Hz]	8	Single H/L
4	Quad	[2Hz]	9	Single-Triple-Quint
5	Random			

* Actual approval will be based on the model ordered.

** For use with external flasher controller.

PART NO.

■ **F019- 0003x-000** (ECE R10, 2PCS/BOX)

■ **F019- 1103x-000** (ECE R65, 4PCS/BOX)

Replace x for:

A = Amber

B = Blue

R = Red

W = White



<< Website

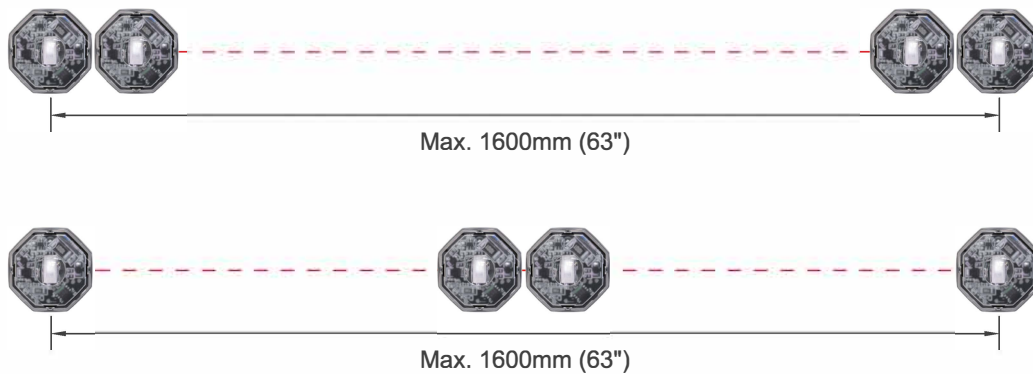
Rev.221124 © 2022 Juluen

JULUEN

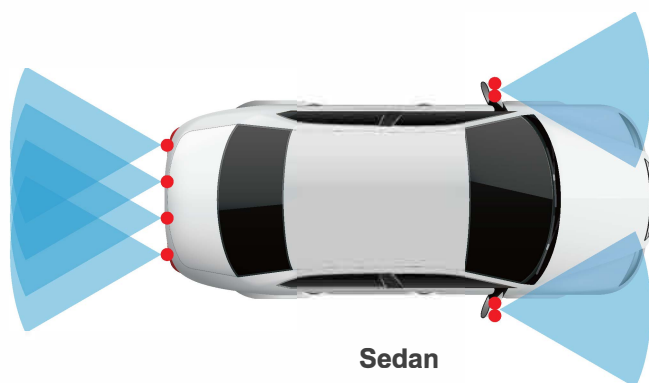
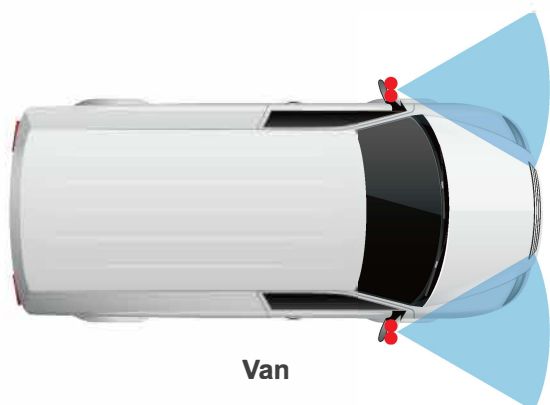
APPROVED MOUNTING POSITION

The lighthead must be set up in a set of four units to meet ECE R65 Cat. X. (Amber, Blue, Red)

Follow the graph and position the lighthead within the required distance and angle to fulfill the approval requirement.



Application Examples



<< Website



FDPARTS A/S

Midtager 26B • DK-2605 Brøndby • TLF: 69144700
WWW.FDPARTS.DK

Rev.221124 © 2022 Juluen

