

8-61100-X Rocker Switch

Thank you for purchasing this Haztec product. Before proceeding with installation, it is essential to read and understand this instruction booklet.



- Illuminated/non-illuminated rocker switches
- 12VDC
- Backlit version available
- Choice of LED colour



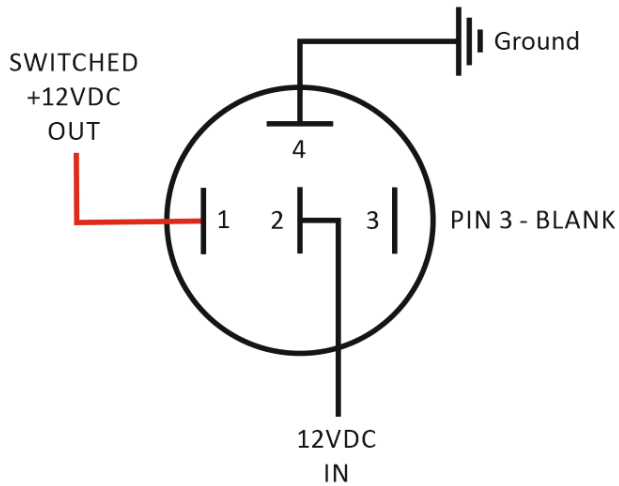
- This product must be installed by persons competent in vehicle electrical installations
- Care should be taken to ensure that water ingress cannot occur through mounting or wiring holes
- Regularly inspect the product to confirm correct operation

Basic Operating Specifications:

Supply voltage:	12VDC
Current rating:	20A
Part numbers:	8-61100-1 On/Off switch red or amber LED
	8-61100-2 On/Off switch blue or white LED
	8-61100-3-xx On/Off switch backlit with LED indicator
	8-61100-4-xx On/Off switch backlit with LED indicator

8-61100-X Rocker Switch

Connection Instructions:



Basic Dimensions:

