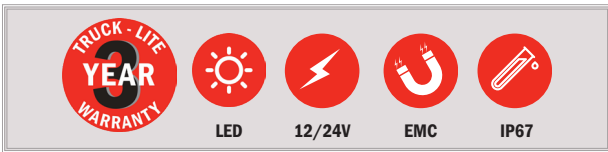


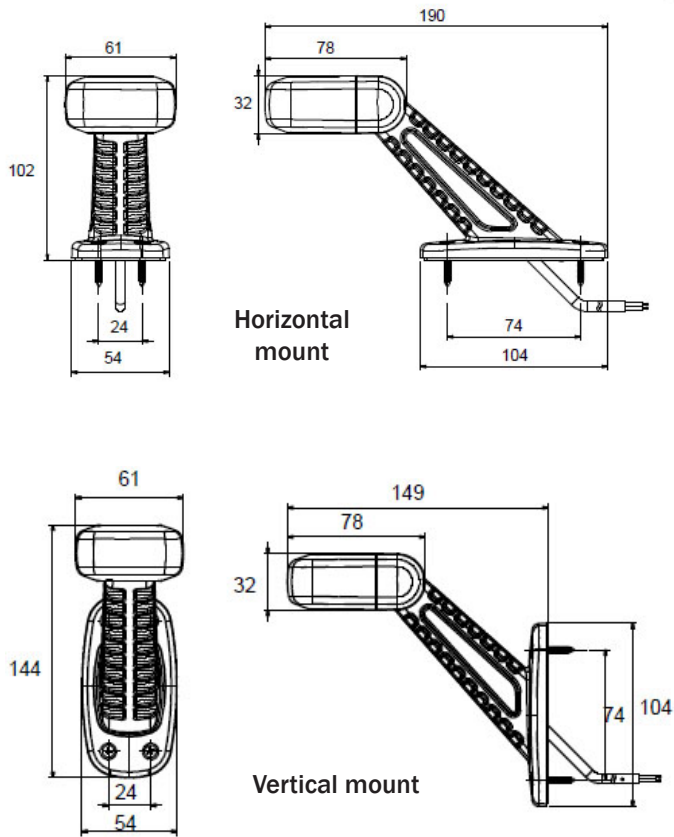
# SS/61

LED Stalk Lamp



### Main Features

- Vertical or horizontal mount LED stalk lamp
- From, side and rear marker functions



Part No.	SS/61
Light Source	LED
Voltage	12/24 Volt
Dimensions	L 190mm X H 102mm X D 54mm
Housing	Polycarbonate
Lens	PMMA, Clear
Mount/Fixings	Vertical or horizontal
Connector	Fly-lead
Functions	Signal lamp (Front, side and rear)
Warranty	3 Year
Approvals	EMC, ECE
Testing	IP67
Application	Truck/Trailer
Power	0.7W

### Part Numbers

- SS/61011 - Left hand, horizontal mount, fly-lead
- SS/61012 - Right hand, horizontal mount, fly-lead
- SS/61021 - Left hand, vertical mount, fly-lead
- SS/61022 - Right hand, vertical mount, fly-lead



Truck-Lite Europe Ltd.  
Contact: +44 (0)1279 406406

Online: [www.Truck-Lite.eu.com](http://www.Truck-Lite.eu.com)  
Social Media: @truckliteeurope

